

## **A WORD TO E-Z TRENCH OWNERS . . .**

THIS MANUAL HAS BEEN PREPARED TO ACQUAINT YOU WITH THE ASSEMBLY, OPERATION AND MAINTENANCE OF YOUR E-Z TRENCH TRENCHING MACHINE, AND TO PROVIDE SAFETY INFORMATION. WE URGE YOU TO READ IT CAREFULLY AND FOLLOW THE RECOMMENDATIONS CONTAINED TO HELP ASSURE THE MOST TROUBLE-FREE OPERATION.

WE WOULD LIKE TO TAKE THIS OPPORTUNITY TO THANK YOU FOR CHOOSING E-Z TRENCH, AND TO ASSURE YOU OF OUR CONTINUING INTEREST IN YOUR NEEDS.

## **PACKING LIST**

- (1) Front Axle
- (2) Axle Caps
- (4) 1/4 \* 3/4 Bolts USS
- (3) 1/4 \* 1 3/4 Bolts USS
- (7) 1/4 Flat Washers USS
- (7) 1/4 Plastic Insert Lock Nuts
- (4) 5/16 \* 1 1/2 Bolts USS (engine)
- (4) 5/16 Flat Washers USS
- (4) 5/16 Plastic Insert Lock Nuts
- (1) Shield Brace
- (1) Belt
- (1) Cable Assembly (packed with engine)

## **TOOLS NEEDED FOR ASSEMBLY**

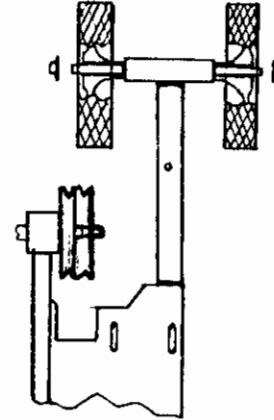
- (2) 7/16 Wrenches
- (2) 1/2 Wrenches
- (1) Pair of Pliers

## OPERATION INSTRUCTIONS

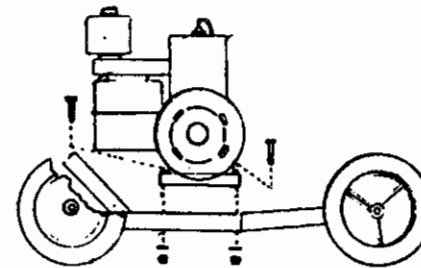
1. FILL CRANKCASE WITH OIL.
2. PRESS DOWN ON HANDLE BARS TO RAISE CUTTER BLADE CLEAR FROM GROUND.
3. ENGAGE BELT LEVER.
4. LOWER CUTTING BLADE INTO GROUND SLOWLY UNTIL FRONT WHEELS TOUCH.
5. PULL MACHINE BACKWARD TO OPERATE.
6. TRAVEL SLOWLY UNTIL FAMILIAR WITH MACHINE.
7. ALWAYS WEAR EYE PROTECTION.
8. TO PREVENT CLOGGING, KEEP INSIDE OF SHIELD CLEAN.

## SAFETY PRECAUTIONS

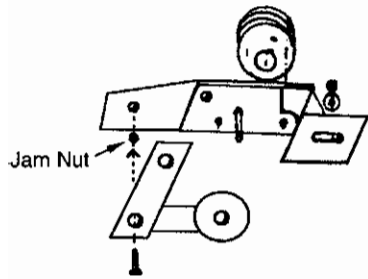
1. ALWAYS WEAR EYE PROTECTION.
2. STAY CLEAR FROM CUTTING BLADES.
3. KEEP HANDS AND FEET AWAY FROM PULLEYS AND BELTS WHEN ENGINE IS RUNNING.
4. LOCATE ALL UNDERGROUND POWER LINES, GAS LINES, AND WATER LINES BEFORE USING MACHINE.



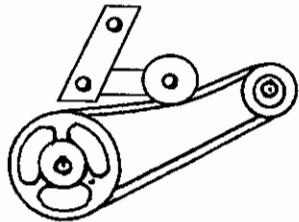
**STEP 1:  
INSTALL FRONT WHEELS ON  
FRAME ASSEMBLY.**



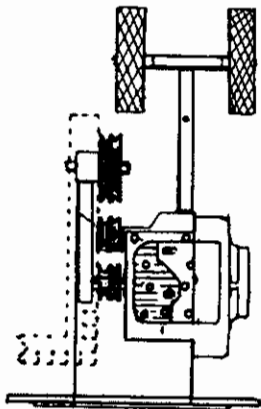
**STEP 2:  
PLACE ENGINE ON FRAME  
ASSEMBLY WITH (4) 5/16" X  
1-1/2" BOLTS.  
NOTE: DO NOT TIGHTEN  
BOLTS AT THIS TIME.  
(STEP 4)**



**STEP 3:  
IDLER ASSEMBLY.  
ATTACH TO ENGINE  
BRACKET.**

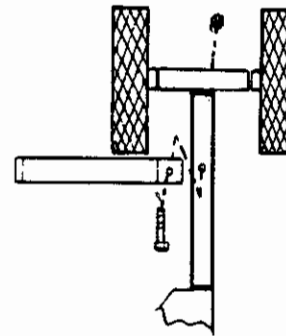


**STEP 4:  
INSTALL BELTS AROUND  
PULLEYS AND UNDER BELT  
IDLER PULLEY.**

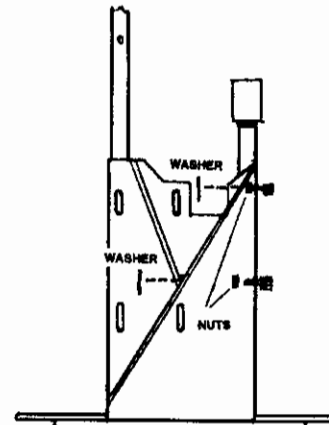


**STEP 5:  
SLIDE ENGINE FORWARD.  
ALIGN PULLEYS USING A  
STRAIGHT EDGE,  
TIGHTEN ENGINE BOLTS  
SECURELY.**

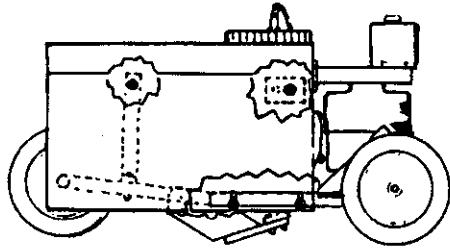
**STEP 6:  
INSTALL BELT GUARD ONTO  
BOLT THAT ATTACHES  
IDLER PULLEYS.  
(SEE STEP 3)**



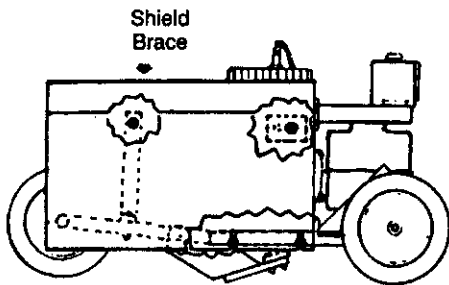
**STEP 7:  
INSTALL SHIELD BRACE TO  
FRONT WHEEL FRAME  
ASSEMBLY WITH (1)  
1/4 X 1-3/4" BOLT AND  
SECURE.**



**STEP 8:  
INSTALL LOOSELY, LOWER  
SHIELD BOLTS (2) 1/4" X 3/4"  
WITH NUTS TOWARD ENGINE  
AND WASHER ON INSIDE.**



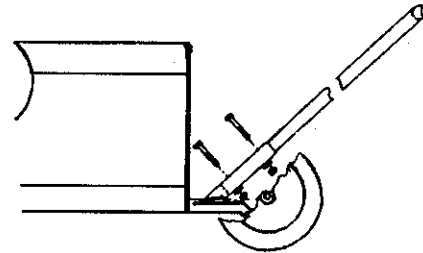
**STEP 9:**  
SLIDE REAR OF SHIELD ON  
LOWER SHIELD BOLTS,  
ATTACH REAR UPPER  
SHIELD BOLT (1) 1/4" X 3/4"  
TO SLOTTED IDLER  
BRACKET. NOTE: HEAD OF  
BOLT AND WASHER GOES  
ON INSIDE OF SHIELD AND A  
WASHER OUTSIDE OF  
BRACKET.



**STEP 10:**  
SLIDE REAR OF SHIELD ON  
LOWER SHIELD BOLTS,  
ATTACH REAR UPPER  
SHIELD BOLT (1) 1/4" X 3/4"  
TO SLOTTED IDLER  
BRACKET. NOTE: HEAD OF  
BOLT AND WASHER GOES  
ON INSIDE OF SHIELD AND A  
WASHER OUTSIDE OF  
BRACKET.

6.

**STEP 11:**  
TIGHTEN ALL SHIELD BOLTS AT THIS TIME.



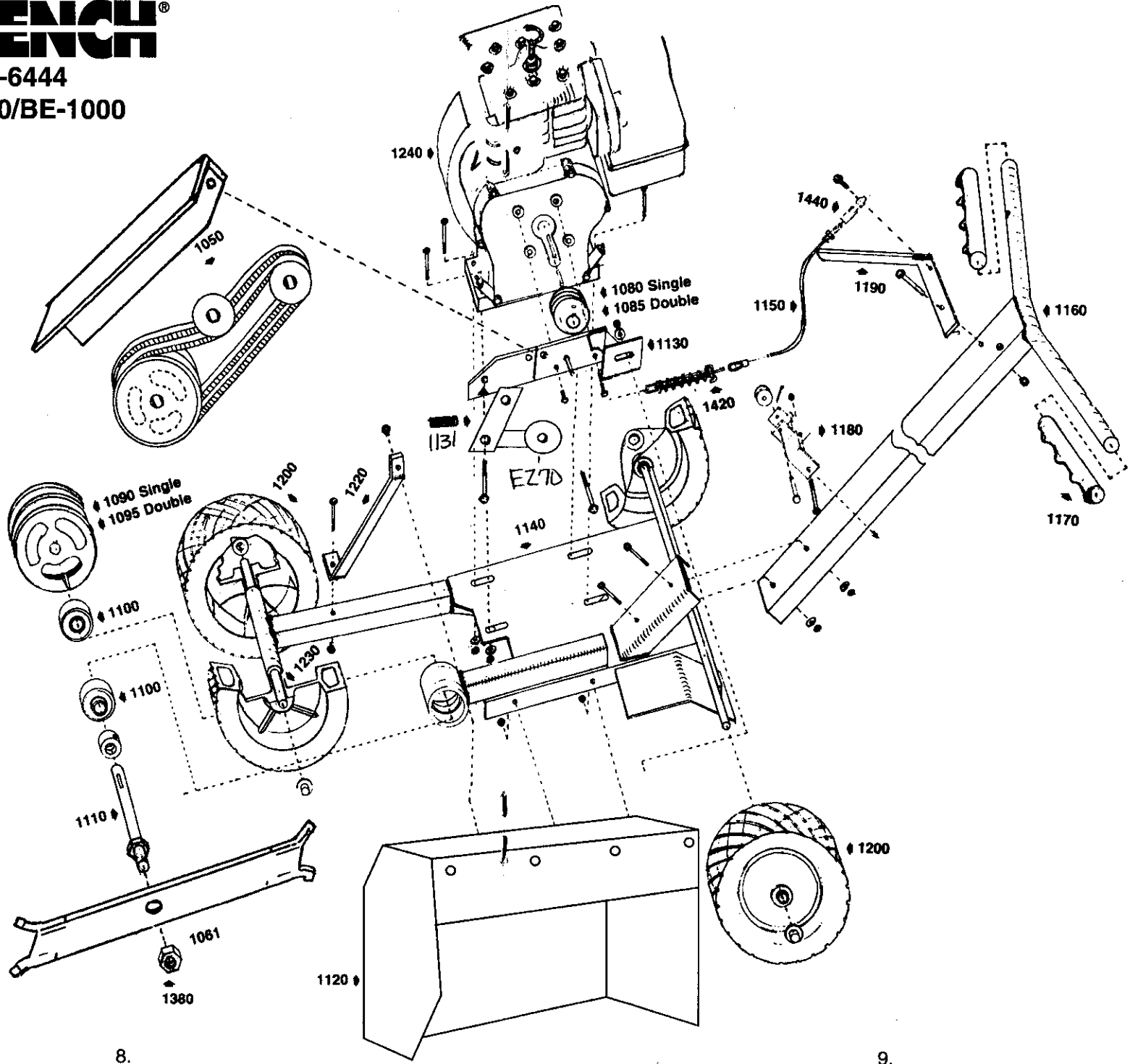
**STEP 12:**  
INSTALL HANDLE TO FRAME  
WITH (2) 1/4" X 1-3/4" BOLTS  
WITH FLAT WASHERS UNDER  
NUTS. TIGHTEN SECURELY.

7.

# E-Z TRENCH®

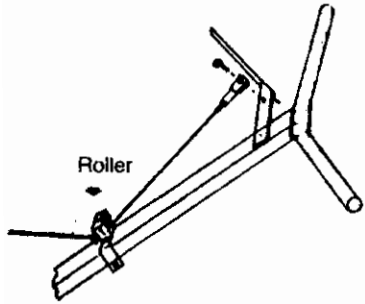
843-756-6444

Model J-1000/BE-1000

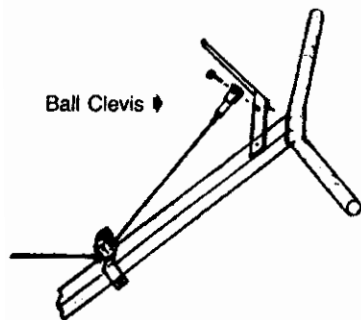


8.

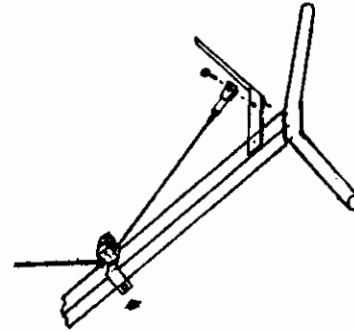
9.



**STEP 13:  
PLACE CABLE UNDER ROLLER  
ON QUICK BELT ADJUSTER.**



**STEP 14:  
INSTALL BALL CLEVIS ON END  
OF CABLE TO DRIVE BELT  
LEVER.**



**STEP 15:  
SLIDE QUICK BELT  
ADJUSTMENT UP OR DOWN  
HANDLE TO SET PROPER  
BELT TENSION.**

Quick Belt Adjustment

**NOTE: PROPER BELT TENSION,  
1/8" OR WHEN TWO NICKELS  
TOGETHER WILL FIT SNUGLY  
BETWEEN COIL SPRING.**

**CAUTION:**

**DO NOT OVER TIGHTEN BELT**



## E-Z TRENCH PARTS LIST

<u>PART NUMBER</u>	<u>DESCRIPTION</u>	<u>QUANTITY REQUIRED</u>
1050	BELT .....	(2)
1061	CARBIDE BLADE .....	(1)
EZ 1170	V IDLER (2 1/2") .....	(1)
1085	V PULLEY (2 1/2" Double) .....	(1)
1090	V PULLEY (5")...(OUTPUT SHAFT) .....	(1)
1095	V PULLEY (5" Double) .....	(1)
1100	BEARINGS...(OUTPUT SHAFT) .....	(2)
1110	OUTPUT SHAFT ASSY. ....	(1)
1120	SHIELD...(BLADE) .....	(1)
1130	IDLER BRACKET ASSY...(ENGINE) .....	(1)
1140	FRAME ASSY .....	(1)
1150	CABLE...(ONLY) .....	(1)
1160	HANDLE BAR...(ONLY) .....	(1)
1170	HANDLE BAR GRIPS...(ONLY) .....	(2)
1180	CHECK BELT ADJ. ASSY .....	(1)
1190	DRIVE BELT LEVER...(HANDLE BAR) .....	(1)
1200	WHEEL...(STEEL) (FRONT & REAR) .....	(4)
1220	SHIELD BRACE .....	(1)
1230	AXEL...(FRONT) .....	(1)
1240	ENGINE...(5 hp BRIGGS & STRATTON) .....	(1)
1290	QUICK BELT ADJ. BOLT (1/4" x 2 3/4" USS) .....	(1)
1300	BELT DRIVE LEVER BOLT (1/4" x 1 3/4" USS) .....	(1)
1310	BALL CLEVIS BOLT (5/16" x 3/4" USS) .....	(1)
1320	IDLE ARM BOLT (3/8" x 2 1/4" USS) .....	(1)
1330	IDLER ASSY. ENG. BOLT (5/16" x 3/4" SAE) .....	(2)
1340	V-IDLER BOLT...(3/8" x 1 1/4" USS) .....	(1)
1345	V-IDLER BOLT (LONG) .....	(1)
1380	OUTPUT SHAFT NUT (3/4" SAE HALF NUT) .....	(1)
1390	OUTPUT SHAFT KEY (3/16" x 1" WOODRUFF) .....	(1)
1400	ENGINE SHAFT KEY (3/16" x 1" SQUARE) .....	(1)
1410	BLADE SHIELD BOLTS (1/4" x 3/4") .....	(4)
1420	SPRING...(BELT TENSION) .....	(1)
1430	ENGINE BOLTS...(5/16" x 1 1/2" USS) .....	(4)
1440	CLEVIS...(FEMALE BALL) .....	(1)
1450	SHIELD BRACE BOLT (1/4" x 1 3/4") .....	(2)
1460	HANDLE BOLTS (1/4" x 1 3/4" USS) .....	(2)
1470	DECAL SET (E-Z TRENCH) .....	(1)
1580	DUAL BELT KIT .....	(1)

## TERMS AND CONDITIONS OF SALE

**USE:**

E-Z TRENCHER IS DESIGNED TO TRENCH IN SOIL ONLY. ANY OTHER USE IS AT THE RISK OF THE OWNER.

**PRICES:**

Prices are subject to change without notice and will be invoiced at prices in effect on date of order.

**CHANGES:**

E-Z TRENCH MANUFACTURING, Inc. reserves the right to discontinue items, change specification, design, or prices at any time, without notice and without incurring any obligation whatsoever.

**FREIGHT POLICY:**

All orders are F.O.B., Loris, South Carolina, USA. Title to goods and risk of loss passed in Loris, South Carolina.

**DAMAGED OR LOST SHIPMENTS:**

All shipments must be carefully inspected. In case of damaged or loss, accept the shipment, but have carrier note damages or loss on delivery receipt. If it is concealed damage, call carrier for inspection. Make claim for damage with carrier.

**LIMITED WARRANTY:**

The E-Z Trencher is warranted against defects in workmanship or materials for a period of one year. Blades, bits, belts and bearings, which are normal wear items, are not warranted. This warranty covers replacement of parts only, no consequential damages are covered. In the event of a warranty claim contact E-Z Trench Manufacturing Company, Inc. This warranty does not include products which have been subject to improper use, or application, or misuse, neglect or accident; nor does it attend to products which have been repaired or altered by other than E-Z Trench Manufacturing Company, Inc. All warranty repairs are F.O.B., Loris, S.C, U.S.A. E-Z Trench Manufacturing Company, Inc. will not be responsible for any transportation charges.

THERE IS NO OTHER EXPRESS WARRANTY. TO THE EXTENT PERMITTED BY LAW ALL IMPLIED WARRANTIES INCLUDED THOSE OF MERCHANTABILITY AND FITNESS FOR A PARTICULAR PURPOSE ARE EXCLUDED. LIABILITY FOR CONSEQUENTIAL DAMAGES UNDER ANY AND ALL WARRANTIES ARE EXCLUDED TO THE EXTENT THAT EXCLUSION IS PERMITTED BY LAW. Some states do not allow limitation on how long an implied warranty lasts, and some

## TERMS AND CONDITIONS OF SALE CONTINUED

states do not allow the exclusion or limitation or incidental or consequential damages, so the above limitation and exclusion may not apply to you. This warranty gives you specific legal rights and you may also have other rights which may vary from state to state.

E-Z Trench Manufacturing Company, Inc. does not warrant the engine but the purchaser must look to engine manufacturer for the warranty of the engine.

### **NORMAL WEAR:**

Warranty will not cover repair where normal use has exhausted the life of a part. Trenchers, like all mechanical devices, need periodic parts replacement and service to perform well. It should be remembered that the service life of any trencher is dependent on the care it receives and the conditions under which it has to operate. Trenchers operate in harsh conditions, which can cause what appears to be premature wear. Such wear, when caused by rocks or other abrasive material, is not covered by warranty.

### **E-Z TRENCH WARRANTY DOES NOT COVER ABUSE OR NEGLIGENCE:**

1. Bent or broken parts; Such damage is normally the result of abuse, such as striking a solid object with the cutting blade.
2. Broken parts, which results from excessive vibration caused by loose engine mounting, loose cutting blades, unbalanced blades, improperly attaching equipment to trencher, overspeeding or abuse in operation.
3. Misuse, neglect, improper operation, damage or abuse.
4. Alteration or removal of name plates or serial numbers.
5. Modification or change of this product outside the factory.

### **STANDARD TERMS:**

1. C.O.D./F.O.B., Loris, SC, USA
2. Cash, money order, certified check, or wire transfer with order.
3. 30 day with approved credit.

All sales are final with no right to return, price protection or implied consignment. No person, including agent, representative, or employee of E-Z TRENCH MANUFACTURING, Inc. is authorized to assume for E-Z TRENCH MANUFACTURING, Inc. any obligation or liability concerning terms or conditions of sale other than that expressly stated herein.

EFFECTIVE MARCH 1, 1985

## TROUBLE SHOOTING

### PROBLEM

### SOLUTION

IRREGULAR OR  
EXCESSIVE BELT WEAR

1. ENGINE PULLEY WORN OUT.
2. BELT TENSION TOO TIGHT.
3. RATE OF DIG IS TOO FAST FOR SOIL CONDITION.
4. CHECK FOR PULLEY MISALIGNMENT.
5. USING OTHER THAN FACTORY RATED BELTS.

EXCESSIVE VIBRATION

1. LOOSE, BENT, OR BROKEN DIGGING BAR.
2. LOOSE ENGINE MOUNT BOLTS.
3. ENGINE R.P.M. POSSIBLY TOO FAST. SHOULD BE 2800 TO 3000 R.P.M.

HOUSING CLOGGING  
WITH DIRT

1. HOUSING NOT BEING KEPT CLEAN.
2. SOIL IS TOO WET.

DAMAGED DIGGING BAR

1. STRIKING HARD OBJECTS, SUCH AS BRICKS, LARGE ROCKS, AND STEEL OBJECTS.

TRENCH IS FILLING UP  
WITH DIRT WHILE  
TRENCHING.

1. PULL THE MACHINE – DO NOT PUSH IT.