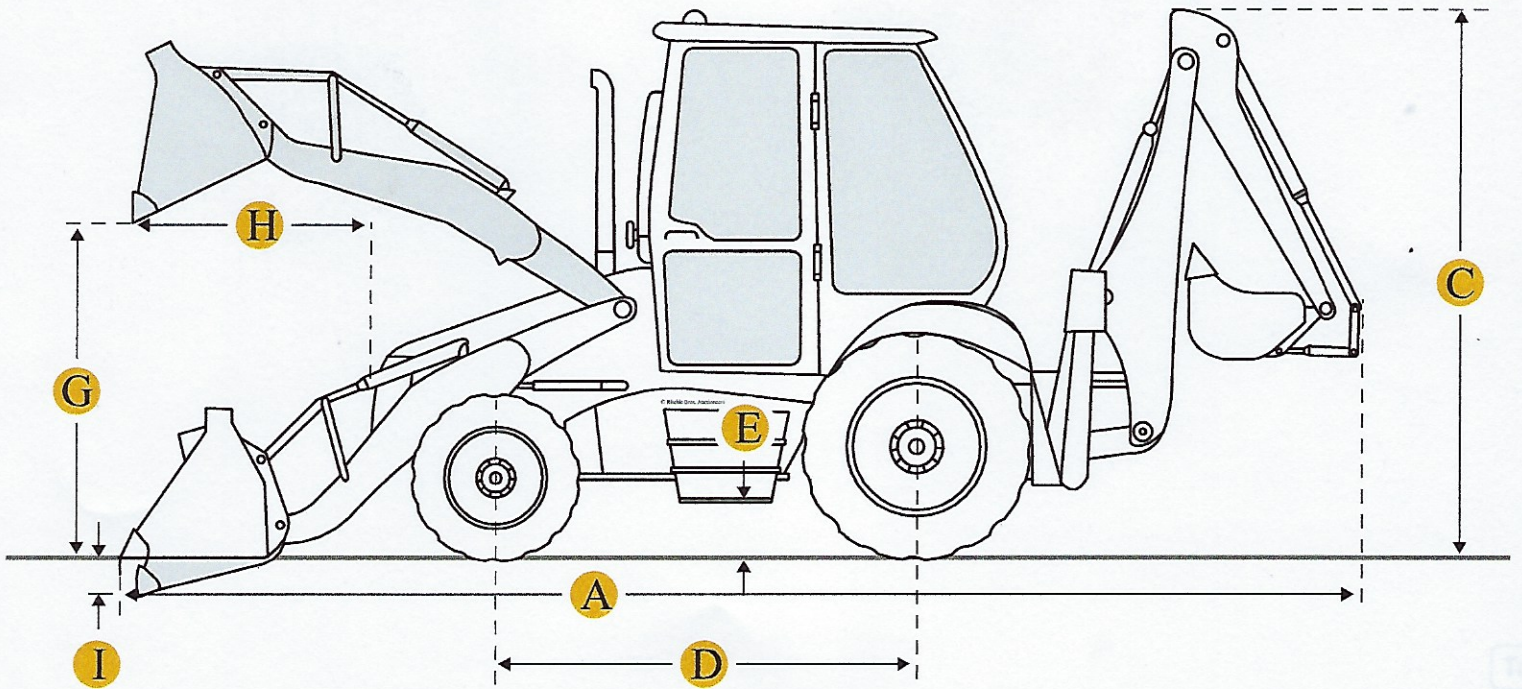
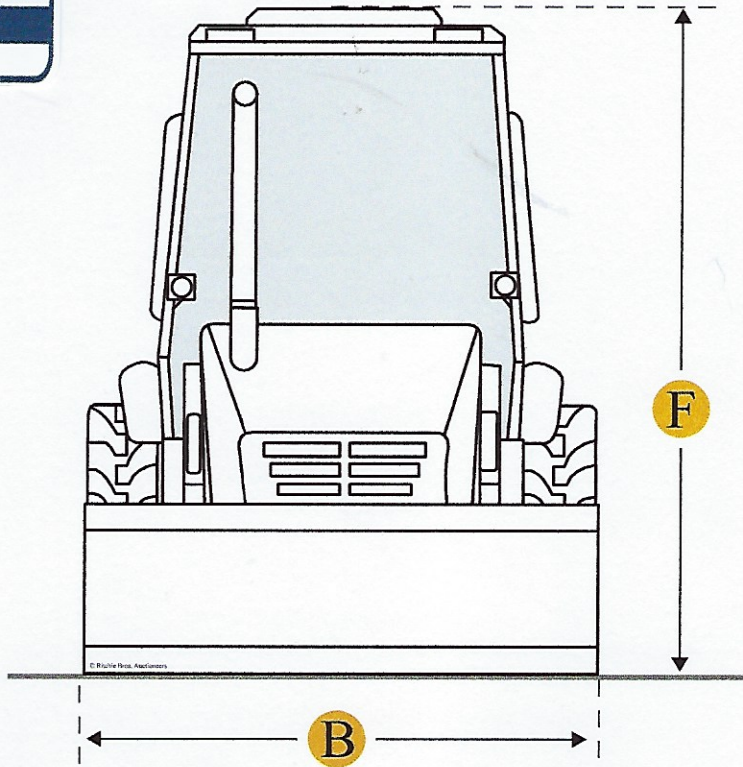
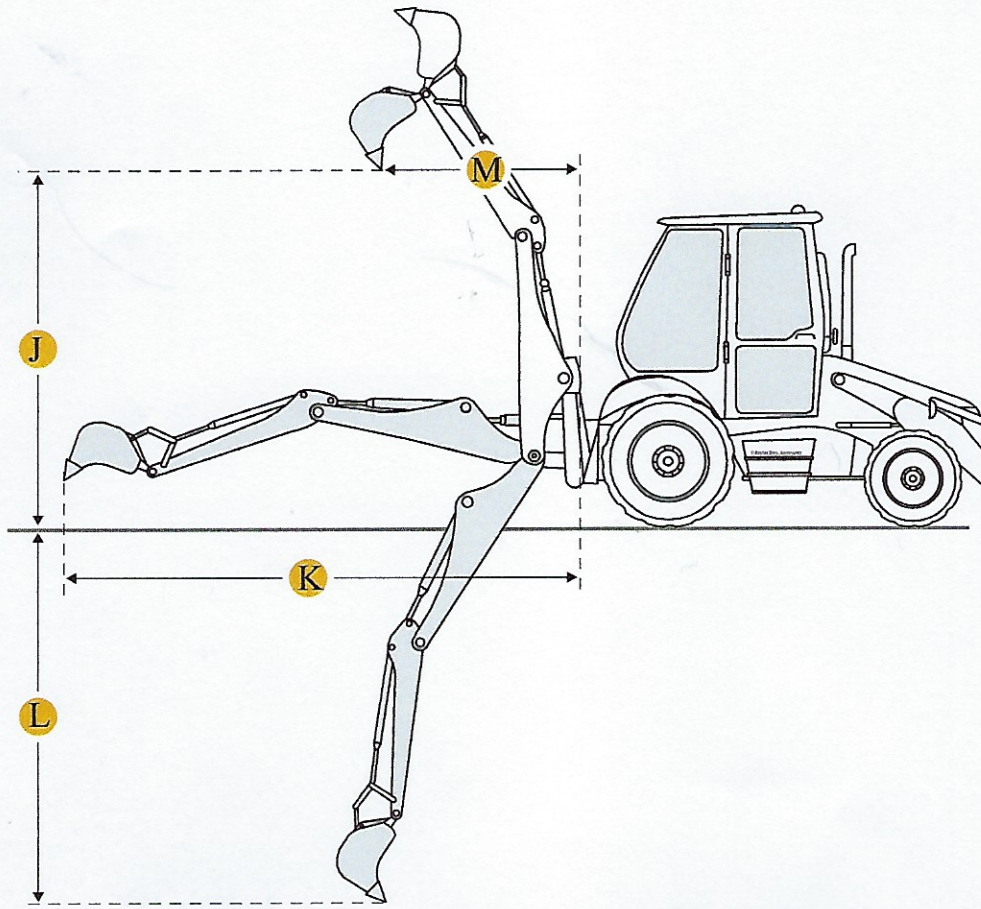


Case 580M Loader Backhoe





Max Weight 14056.7 lb

Net Power 65 hp

J Load Height - Std 11.17 ft in

K Reach From Swivel - Std 17.83 ft in

L Dig Depth - Std 14.25 ft in

M Reach At Load Height - Std 8.75 ft in

Load Height - Ext 13.25 ft in

Bucket Dig Force - Ext 11212 lb

Bucket Dig Force - Std 11212 lb

Dig Depth - Ext 18.25 ft in

Reach At Load Height - Ext 11.5 ft in

Load At Max Lift - Ext 810 lb

Load At Max Lift - Std 1950 lb

A	Transport Length	23.17 ft in
B	Transport Width	7.17 ft in
C	Transport Height	11.25 ft in
D	Wheelbase	7.04 ft in
E	Ground Clearance	1.24 ft in
	Height To Top Of Suspended Cab	8.92 ft in

Loader

G	Clearance At Max Dump Height	8.67 ft in
H	Reach At Max Dump Height	28.17 ft in
I	Dig Depth	7.8 in
	Bucket Breakout Force	9164 lb

Top